

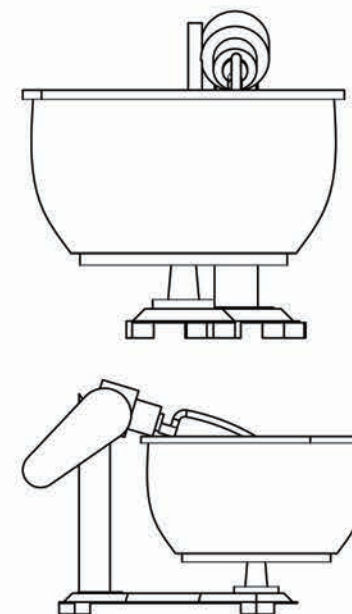


Dough Mixer

Dough Mixer designed and produced for mixing and kneading the dough in a short time that provides Homogenate Dough Mixture, recommended for Bakeries and Confectioneries.

Available in Aluminum and Stainless-Steel Models.

It can be moved easily by means of its wheels.



Technical Data

Model	Weight (kg)	Voltage (V)	Motor Power (kw)	Depth of Bowl (cm) H1	Dimensions (cm)			Capacity of Bowl(kg)
					Height (H)	Diameter of Bowl (W)	Length (L)	
8 Kg, Stainless-Steel	24	220	0.25	19	58	39	72	8
40 Kg, Stainless-Steel	150	220	0.5	33	80	60	95	40
60 Kg, Stainless-Steel	150	220	0.75	33	100	71	115	60
60 kg , Aluminum	160	220	0.75	36	106	70	120	60
80 kg , Aluminum	180	220	0.75	34	105	70	115	80
90 Kg, Stainless-Steel	200	220	0.75	35.5	110	75	115	90
120 Kg, Stainless-Steel	200	220	1.5	40	112	80	135	120
120 kg , Aluminum	215	220	1.5	40	112	80	135	120
180 Kg, Stainless-Steel	250	220	2.2	43	114	95	145	180
180 kg , Aluminum	205	220	2.2	43	114	95	145	180
240 Kg, Stainless-Steel	383	220	2.2	47	126	104	170	240
240 kg , Aluminum	356	220	2.2	47	126	110	155	240

